

# SRP-275III

3 inch Impact Dot POS Printer



Retail



Hospitality

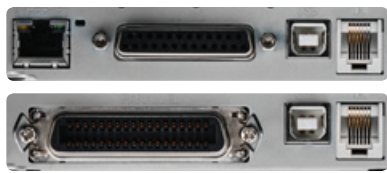
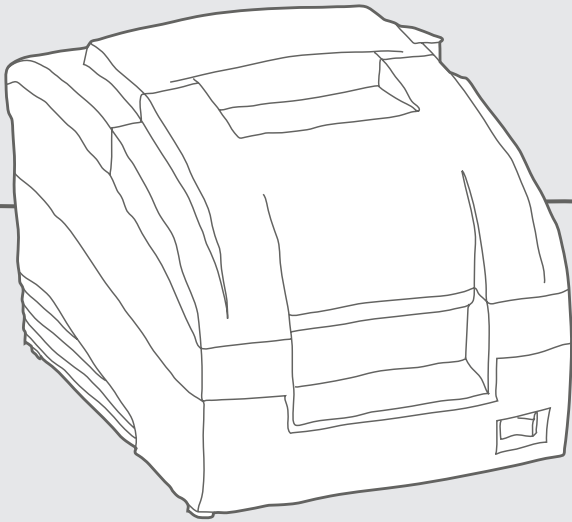


Banking



Ticketing

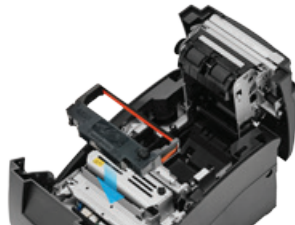
## Simply Drop-in



### Built-In Interface

- USB V2.0 FS + Serial + Ethernet\*
- USB V2.0 FS + Parallel
- USB V2.0 FS + Serial
- \* DHCP enabled

2-color



### Powerful Printing Performance

- Fast printing speed up to 5.1 lps (at 40 columns) 8.5% faster than competitive models
- High reliability mechanism (18 million lines)
- Two-color printing, quality printing of fonts, graphics



### User-Friendly Design

- Anti-jam technology
- Internal kitchen buzzer & built - in SMPS
- Simply drop-in paper loading
- Stand-alone and wall-mount options



# SRP-275III

## 3 inch Impact Dot POS Printer

### Specifications

#### Print Characteristics

**Print Method**

9 Pin  
Serial Dot Matrix

**Print Speed**

Up to 5.1 lps (at 40 columns)

**Print Resolution**

80 dpi (Horizontal)  
144 dpi (Vertical)

**Print Width**

Up to 63.5 mm

**Sensor**

Paper End, Paper Near End, Wall Mounting Paper  
Near End, Rear Cover Open, Black Mark

#### Media Characteristics

**Media Type**

Receipt

**Media Width**

76.5 mm

**Media Roll Diameter**

Up to 83 mm

Media Thickness

0.06 ~ 0.085 mm

**Supply Method**

Easy Paper Loading

#### Physical Characteristics

**Dimensions (WxLxD)**

160 x 239 x 157 mm  
(6.29 x 9.40 x 6.18 inch)

**Weight**

A: 2.4 kg (5.29 lbs.)

C: 2.5 kg (5.51 lbs.)

**Power**

EnergyStar Certified,  
External Power Supply Housed Internally  
(Adaptor 24V/2.5A), 50/60Hz

**Drawer Port**

2 ports (via y-type adaptor)

#### Performance Characteristics

**Memory**

64 Mbit SDRAM, 16 Mbit FlashROM

**NV Image Memory**

256 Kbytes (mono)

**Receive Buffer**

64 Kbytes

**User Define Buffer**

64 Kbytes

**Interface**

① USB V2.0 FS + Serial + Ethernet\*

② USB V2.0 FS + Parallel

③ USB V2.0 FS + Serial

\* DHCP enabled

#### Environment Characteristics

**Temperature**

Operating: 0 ~ 40°C (32 ~ 104°F)

Storage: -20 ~ 60°C (-4 ~ 140°F)

**Humidity**

Operating: 10 ~ 80% RH

Storage: 10 ~ 90% RH

#### Reliability

**Impact Printer Head**

300 Million Dots/Wire

**Auto Cutter**

1.5 Million Cuts

#### Software

**Emulation**

BXL / POS

**Driver / Utility**

Windows Driver, OPOS Driver, JPOS Driver,  
Linux / Mac CUPS Driver,  
Virtual COM USB/Ethernet Driver, Utility Program

**SDK**

iOS SDK, Android SDK

#### Fonts / Graphics / Symbologies

**Character Size**

Font A: 9 x 9 Font B: 7 x 9 KOR: 17 x 9 CHN: 16 x 16

**Characters Per Line**

Font A: 35 Font B: 40 KOR: 20 CHN: 22

**Character Sets**

Alphanumeric: 95

Extended Graphics: 128 x 27 page

International: 48

**Graphics**

Supporting user-defined fonts, graphics,  
formats, and logos

#### Accessories

**Optional**

Wall Mount, Splash Proof Cover,  
Ribbon Cartridge, B-Melodist, External Buzzer



**BIXOLON®**

BR-SRP-275III-EN-MAY17-V1-NF

Copyright © BIXOLON Co., Ltd. All rights reserved. Features and specifications are subject to change without prior notice.



Quality Data Systems

8655 Crown Crescent Court

Charlotte, NC 28227

sales@qualitydatasystems.com

1-800-258-1168